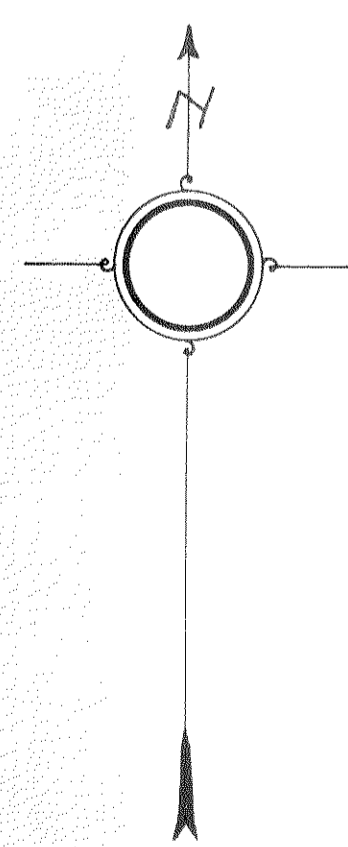
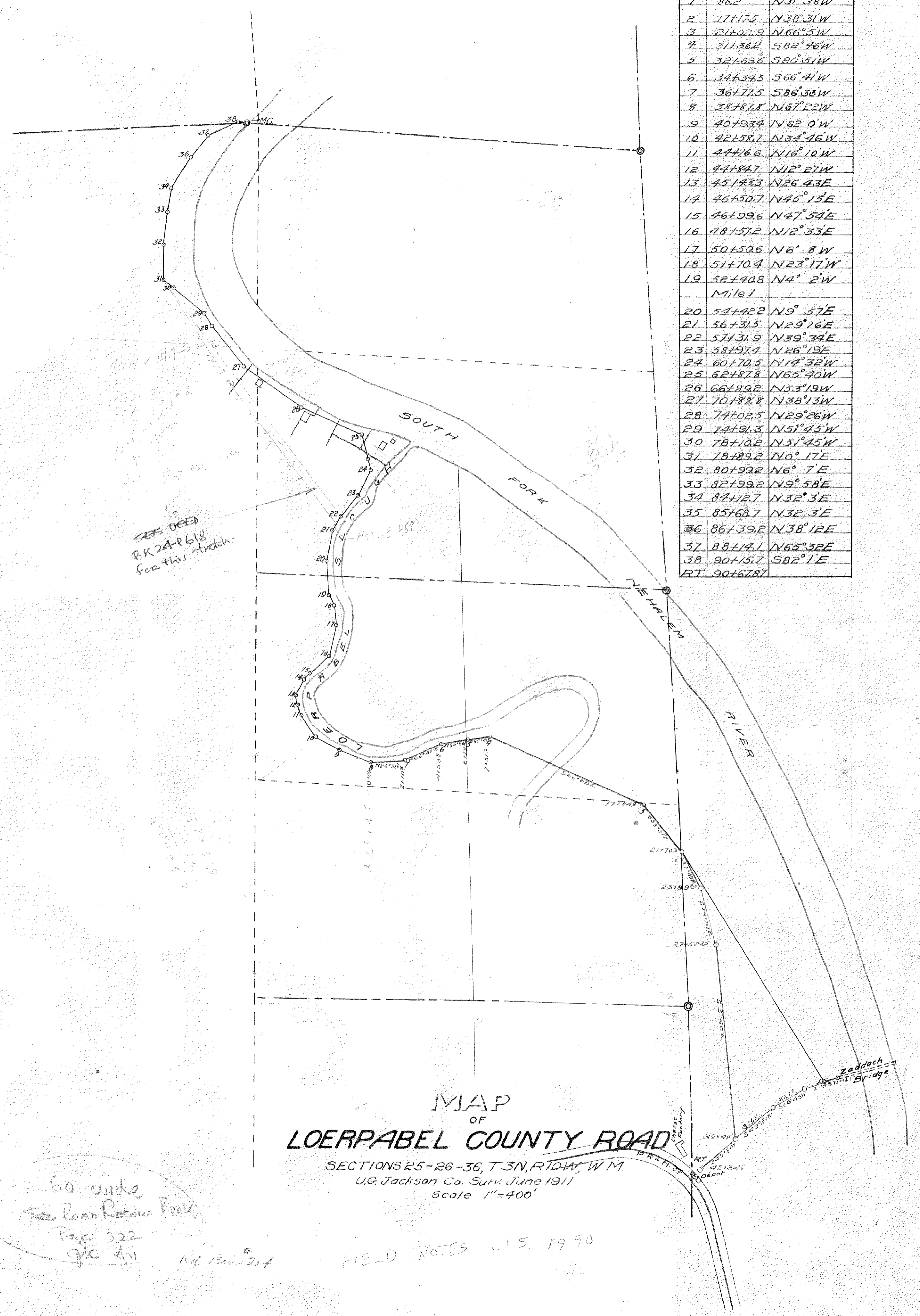


Angle	Station	Course
R	0+0	N88°53'W
1	26+23.7	N75°47'W
2	27+48.7	S41°24'W
3	28+69.9	S74°46'W
4	31+20.2	S88°59'W
5	38+31.9	S60°33'W
RT	40+30.0	



MAP
OF
S.T. CHILDERS CO. ROAD
SECS. 3 & 10 T2S, R9W, W.M.
U. G. JACKSON, CO. SURV.
SCALE 1"=400' SEPT. 1912

RECORD OF ROAD 11 IN ROAD PETITION @ CLERK'S
FIELD NOTES ARE - ROAD RECORD BOOK #2
IT IS 112103 - 112104 TRVERSE



Sta.	Station	Course
	0.0	S75°19'W
1	86.2	N31°38'W
2	171.75	N38°31'W
3	21+02.9	N66°5'W
4	31+36.2	S82°46'W
5	32+69.5	S80°5'W
6	34+39.5	S66°4'W
7	36+77.5	S86°33'W
8	38+87.8	N67°22'W
9	40+93.4	N62°0'W
10	42+158.7	N34°46'W
11	44+16.6	N16°10'W
12	44+184.7	N12°27'W
13	45+183.3	N26°43'E
14	46+150.7	N45°15'E
15	46+199.6	N47°54'E
16	48+157.2	N12°33'E
17	50+150.6	N6°8'W
18	51+170.4	N23°17'W
19	52+408	N4°2'W
	Mile 1	
20	54+422	N9°57'E
21	56+315	N29°16'E
22	57+31.9	N39°34'E
23	58+197.4	N26°19'E
24	60+70.5	N14°32'W
25	62+87.8	N65°40'W
26	66+189.2	N53°19'W
27	70+188.8	N38°13'W
28	74+02.5	N29°26'W
29	74+191.3	N51°45'W
30	78+102	N51°45'W
31	78+189.2	N0°17'E
32	80+199.2	N6°7'E
33	82+199.2	N9°58'E
34	84+12.7	N32°3'E
35	85+68.7	N32°3'E
36	86+139.2	N38°12'E
37	88+141	N65°32'E
38	90+15.7	S82°1'E
RT	90+167.87	

MAP
OF
LOERPABEL COUNTY ROAD
SECTIONS 25-26-36, T3N, R10W, W.M.
U.G. Jackson Co. Surv. June 1911
Scale 1"=400'

FIELD NOTES U.S. 19 90

60 wide
See Bonn Record Book
Page 322
9/10/11
Rt. Rev. 314